

SUPERFINISH

INNOVATION μ

modular • flexible • economical • universal

Superfinisher CUBE 650



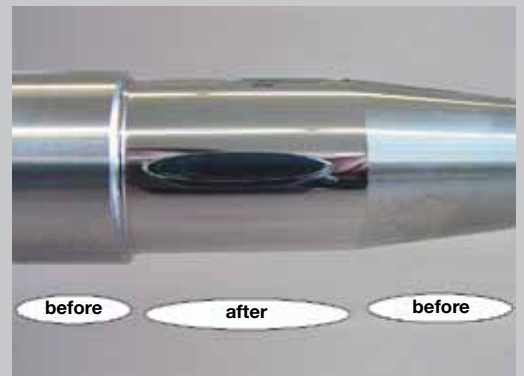
Technology-benefits

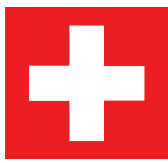
The optimized surface produces less friction and therefore improves the wearing, the durability, the noise development and the energy expenditure.

This kind of surface improvement is simple – compared to other principles – process-safe and economical.

The superfinisher CUBE 650 is designed to Process medium- and large- sized serial production volumes. The CUBE 650 can be operated manually or featured as full-automated type.

Due to the modular construction system, nearly All work-pieces can be treated. The spanning between points is facilitating a fast change- over of work- pieces from type to type.





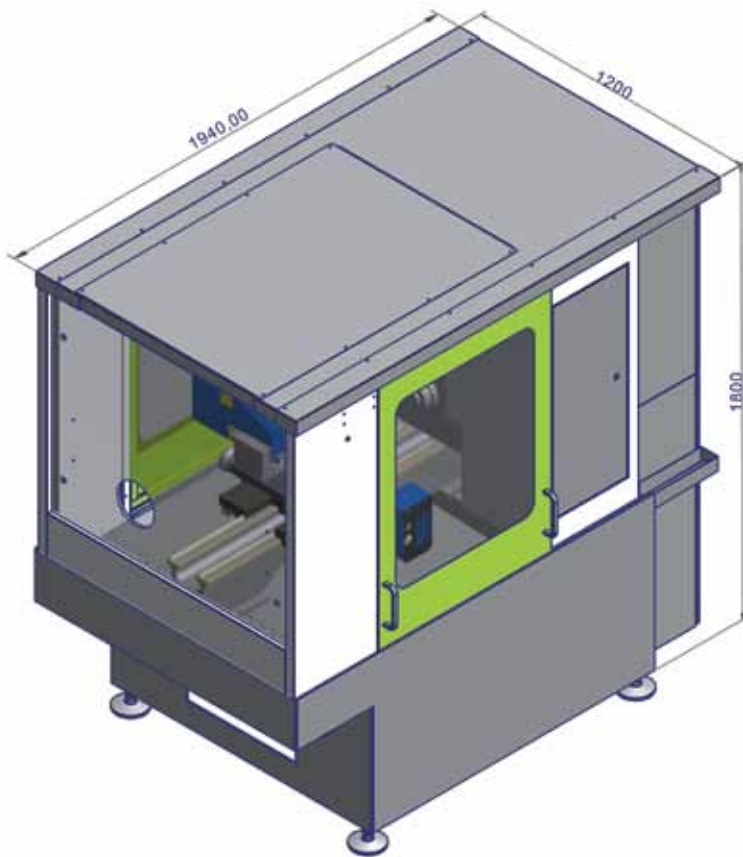
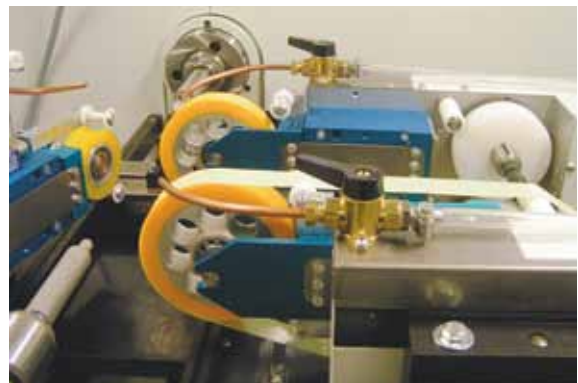
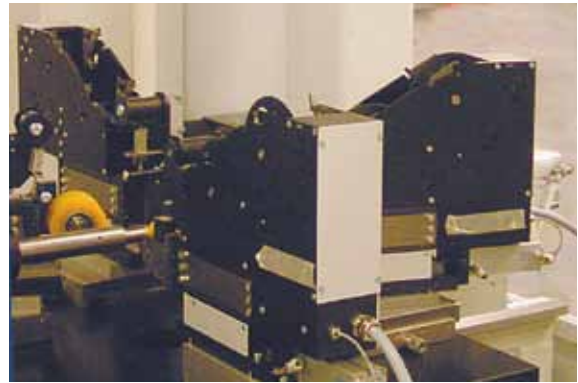
Superfinisher CUBE 650 – Technical datas

Basic configuration

Loading / unloading:	manual
	Handling with transfer and routing
Cut-in machine (without center line)	
With programmable center line:	s max. 650 mm
With circulation fluid cart with filter cartridge:	1 – 30 μ

Device-configuration

Device type:	SL50, KG50 KG50-100M KG50-DB, KG100
Number of devices:	max. 4 pieces



Datas of the machine

Spindle rotation:	300 – 3000 U/min.
Freely programmable zones:	10
Number of programmes:	200
Max. length of workpiece:	750 mm (950 mm)
Diameter of workpiece:	4 – 80 mm
Weight:	ca. 1500 kg

Anschlüsse

Elektric:	3 x 400 VAC 50/60 Hz, 6 A (L1, L2, L3, N, PE)
Pneumatic:	1 x 6 bar

SUPERFINISH – a company of Thielenhaus Technologies



Thielenhaus Technologies GmbH
 Schwesterstrasse 50
 D-42285 Wuppertal
 Phone: +49 (0) 202 - 481-0
 info@thielenhaus.com
 www.thielenhaus.com



Thielenhaus Microfinish Corp.
 42925 W. Nine Mile Road
 Novi, MI 48375, U.S.A.
 Phone: +1 (248) 349 - 9450
 info@thielenhaus.us
 www.thielenhaus.us



Thielenhaus Machinery (Shanghai)
 Jiangtian Dong Lu 92, Building D
 Songjiang Industrial Zone
 201613 Shanghai P.R. China
 Phone: +86 (21) 6775 - 3157
 www.thielenhaus.cn



Superfinish Innovation AG
 St. Gallerstrasse 52
 CH-9548 Matzingen
 Phone: +41 (0)52 376 26 20
 info@superfinish.ch
 www.superfinish.ch