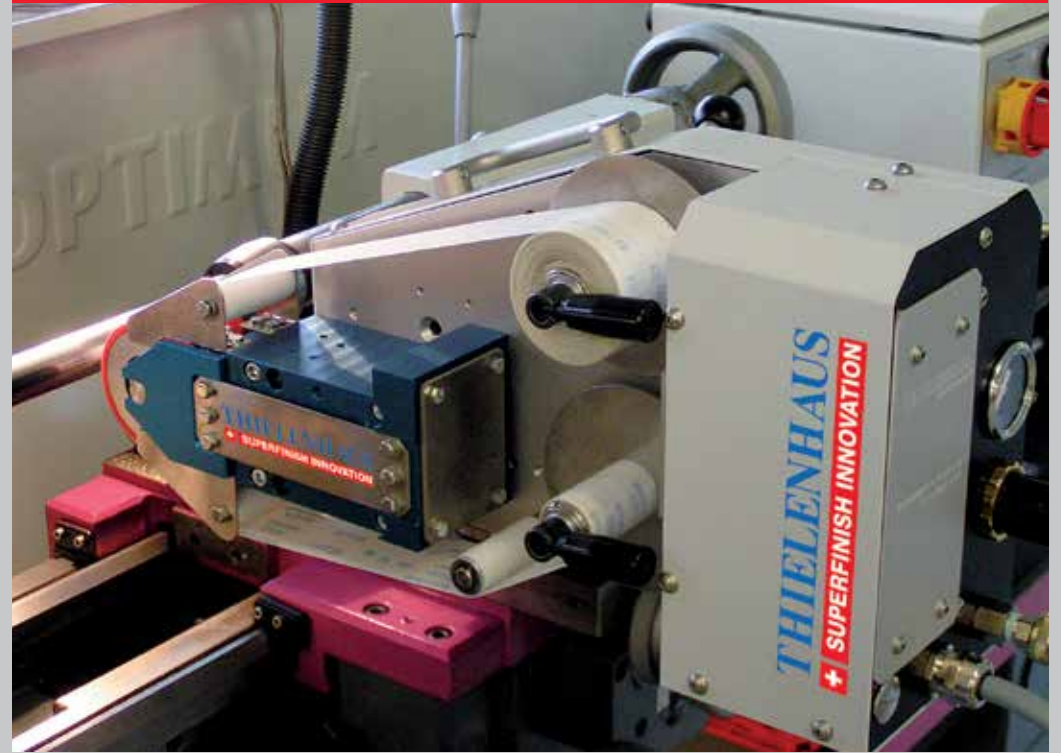


THIELENHAUS

+ SUPERFINISH INNOVATION

modular • flexible • economical • universal

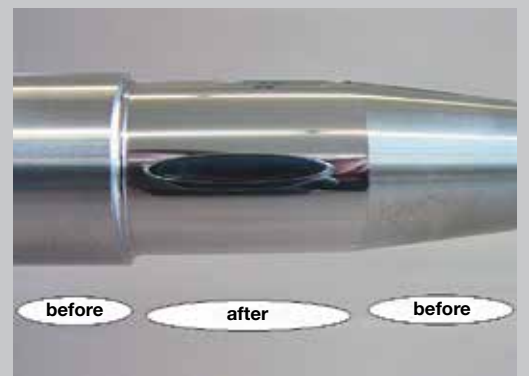
Bandfinisher SL50



Technology-benefits

The optimized surface produces less friction and therefore improves the wearing, the durability, the noise development and the energy expenditure.

This kind of surfaceimprovement is simple – compared to other principles – process-safe and economical.



SBM control box manual
for manual finishing of individual parts and small series



SBA control box automatic
for time-regulated cut-in-finishing of individual parts and small series

Bandfinisher SL50 – Technical datas

Oscillation rate:	300 – 1400 double-strokes/min.
Oscillation path:	Standard +/- 1 mm optional: +/- 0,5; +/- 1,5; +/- 2 mm
Automated tape feed:	10 – 100 mm/min.
Pressing-on move:	Standard 30 mm; optional : 40 mm
Pressing-on force:	50 – 300 N (1 – 6 bar)
Pressing-on roll width:	max. 50 mm
Pressing-on roll hardness:	Standard 65 ShA; optional: 35, 50, 90 ShA
Control voltage:	24 VDC
Weight:	13 kg

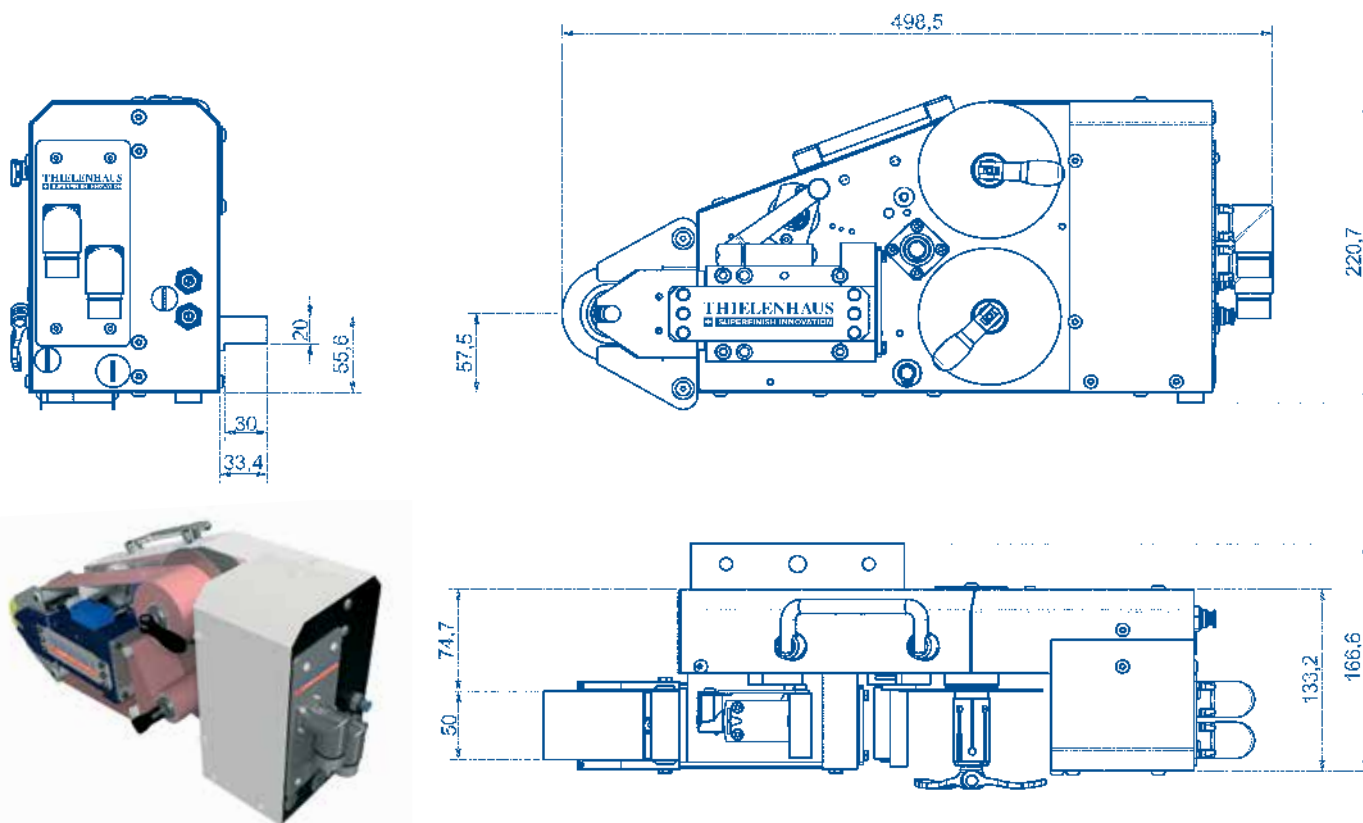
Adaptors

Electric:	100 – 260 VAC, 50/60 Hz, 6 A (L, N, PE)
Pneumatic:	1 x 6 bar



Options

- Machine device for direct assembly with sensors
- One-sided arranged pressinging roll
- Special pressing-on roll



SUPERFINISH – a company of Thielenhaus Technologies



Thielenhaus Technologies GmbH
Schwesterstrasse 50
D-42285 Wuppertal
Phone: +49 (0) 202 - 481-0
info@thielenhaus.com
www.thielenhaus.com



Thielenhaus Microfinish Corp.
42925 W. Nine Mile Road
Novi, MI 48375, U.S.A.
Phone: +1 (248) 349 - 9450
info@thielenhaus.us
www.thielenhaus.us



Thielenhaus Machinery (Shanghai)
Jiangtian Dong Lu 92, Building D
Songjiang Industrial Zone
201613 Shanghai P.R. China
Phone: +86 (21) 6775 - 3157
www.thielenhaus.cn



Thielenhaus
Superfinish Innovation AG
St. Gallerstr. 52 CH-9548 Matzingen
Phone: +41 (0)52 376 26 20
info@superfinish.ch
www.superfinish.ch